

# JOSBE



SAT Colaborador  
*Innovative Technology*

## Spectral Payout



**(+34) 982 209 493**

**(+34) 649 449 400**



**josbe@josbe.eu**



**josbe.eu**

**P.I. El CEA0, Rúa da Terra s/n 27003 Lugo. España**



**Innovative Technology**

INTELLIGENCE IN VALIDATION

# Spectral Payout

*“Unrivalled mixed denomination recycler”*



- Superior mixed denomination banknote recycler
- 100% note image capture – highest spectral coverage
- Eliminates coin starvation
- Reduce operational collection costs



## FEATURES

- 80 note ‘true’ mixed denomination recycler - can store all denominations from a given currency
- Full spectral imaging sensors validate the authenticity of notes
- 99% first time acceptance of new and street grade notes
- Accepts notes up to 85mm wide & recycles notes up to 82mm wide
- Notes are transferable to the cashbox for easy collection
- Improved serviceability for easy maintenance, internal memory for data logging and free firmware updates



## BENEFITS

- Eliminates coin starvation & reduces the coin float levels required to keep machines operational
- Exceptional genuine note detection & protection against fraudulent notes
- Faster note processing and recycling, maximise cash efficiency
- One product suitable for global applications
- Reduces operator collection costs
- Best in class performance & future proof your investment

## Technical Specification

### Power

Requirements: 12V/24V  
Standby: 400mA  
Running: 3A  
Peak: 5.5A

### Protocols

SSP  
ccTalk

### Interfaces

USB option  
Open collector  
RS232

### Cashbox Options

500 notes  
1000 notes

### Recycler Capacity

Up to 80 mixed notes

### Bezel Options

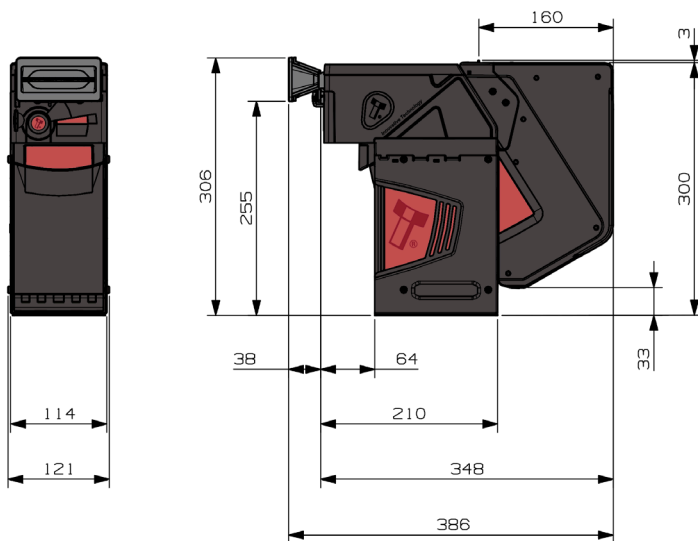
82/85mm width  
Metal bezel  
Various illumination options

### Note Dimensions

*Accepts:* Width: 60-85mm  
Length: 115-170mm  
*Recycles:* Width: 60-82mm

### MCBF

100,000



- Weight: 5.5kg